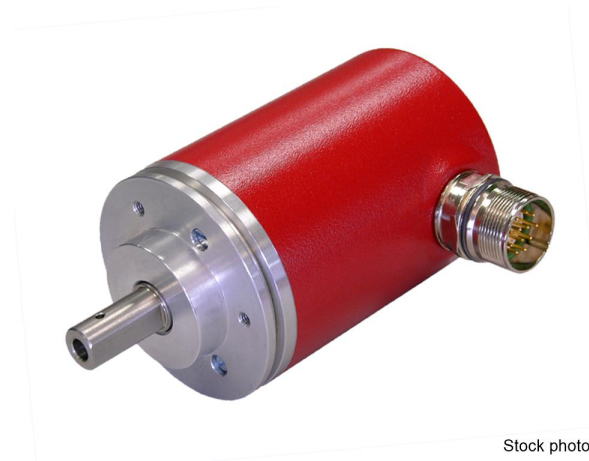


## CEV65M\*4096/4096 SSI 36ZB10FL

Connector 12 pin M23



Stock photo



Order-#: CEV65M-00444

7.10.2021 / 010102006502010201

### Advantages

- Customer-specific solutions
- Flexible programming
- Further interfaces available
- Modular mechanical design
- Modular product line

### Technical data for CEV65M-00444

NO.OF STEPS/REV	4.096,000
NO. OF REVOLUTIONS	4.096,000
PROGRAMMABLE	PROG.
INTERFACE	SSI
CODE	GRAY
OUTPUT LEVEL	RS422
SUPPLY VOLTAGE	11-27V
CONNECTOR TYPE	CONTACT 12P
CONNECTOR-POSITION	CONNECTOR RADIAL ON HOUSING
MATING PLUG	YES
FLANGE TYPE	ZB36
SHAFT TYPE	10FL/19,5
TEMPERATURE RANGE	0-60°C
PROTECTION Class	IP65

Subject to change.

TR-Electronic GmbH  
Eglisshalde 6  
78647 Trossingen  
Tel. +49 (0) 7425 228-0  
info@tr-electronic.de  
[www.tr-electronic.de](http://www.tr-electronic.de)

# CEV65M\*4096/4096 SSI 36ZB10FL

Connector 12 pin M23

Order-#: CEV65M-00444

7.10.2021 / 010102006502010201

## Technical data for CEV65M-00444 continuation

OPTIONS ENC	F/R
	PRESET 1+2
	PROGRAMMABLE
PINOUT NO.	185E
DRAWING NO.	04-CEV65M-M0021
VERSIONNO	158
PARAMETER FILE	CE831-095
FIRMWARE NO	437860
DOCUMENTATION NO	DOKUMENTE
AL:	N
ECCN:	N

## General data for K-CEV65-SSI-1

Nominal voltage	
- Specific value	24 VDC
- Limit values, min/max	11/27 VDC
Nominal current, typically	
- Specific value	80 mA
- Condition	unloaded
Device design	
- Type	Single-/Multi-Turn
Total resolution	<= 31 Bit
Number of steps per revolution	<= 8192
Number of revolutions	<= 256000
Output capacity	<= 30 Bit
SSI - Interface	
- SSI-Clock input	Optocoupler
- SSI-Data output	RS-422, 2-wire
- SSI-Clock frequency	80...1000 kHz
- SSI-Mono time, typically	20 µs
Cycle time	250 µs, internal
Parameter/Function, changeable	Resolution
	Output code
	Output format
	Movement status signal
	Limit switch

Subject to change.

# CEV65M\*4096/4096 SSI 36ZB10FL

Connector 12 pin M23

Order-#: CEV65M-00444

7.10.2021 / 010102006502010201

## General data for K-CEV65-SSI-1 continuation

	Error signal
	Preset parameter
	Parity
	Direction signal
	Overspeed
	Counting direction
Type of parametrization	programmable
Programming - Tool	TR-Soft: TRWinProg
External inputs	
- F/R	Count direction
- Preset	electronic adjustment
- Logic level	"0" < +2V, "1" = Supply
External outputs	
- Output level	Supply voltage, <= 50 mA
- Type of parametrization	programmable
- Number of outputs	8
- Output stages	Push Pull
- Equipment	Option
- Short-circuit proof	yes
Maximum Speed, mechanically	<= 6000 1/min
Shaft load, axial/radial	<= 40 N, <= 60 N
Bearing life time	>= 3.9E+10 revolutions
Bearing life time - Parameter	
- Speed	3000 1/min
- Operating temperature	60 °C
- Shaft load, axial/radial	<= 20 N, <= 30 N
Point of origin, shaft load	at the shaft end
Shaft type	
- Shaft diameter [mm]	6
- Shaft diameter [mm]	8
- Shaft diameter [mm]	10
- Shaft diameter [mm]	12
- Shaft diameter [mm]	14
- Shaft diameter ["]	3/8
Angular acceleration	<= 10E+4 rad/s <sup>2</sup>
Moment of inertia, typically	2.5E-6 kg m <sup>2</sup>
Start-up torque, 20 °C	2 Ncm
Mass, typically	0.7 kg

Subject to change.

## CEV65M\*4096/4096 SSI 36ZB10FL

Connector 12 pin M23

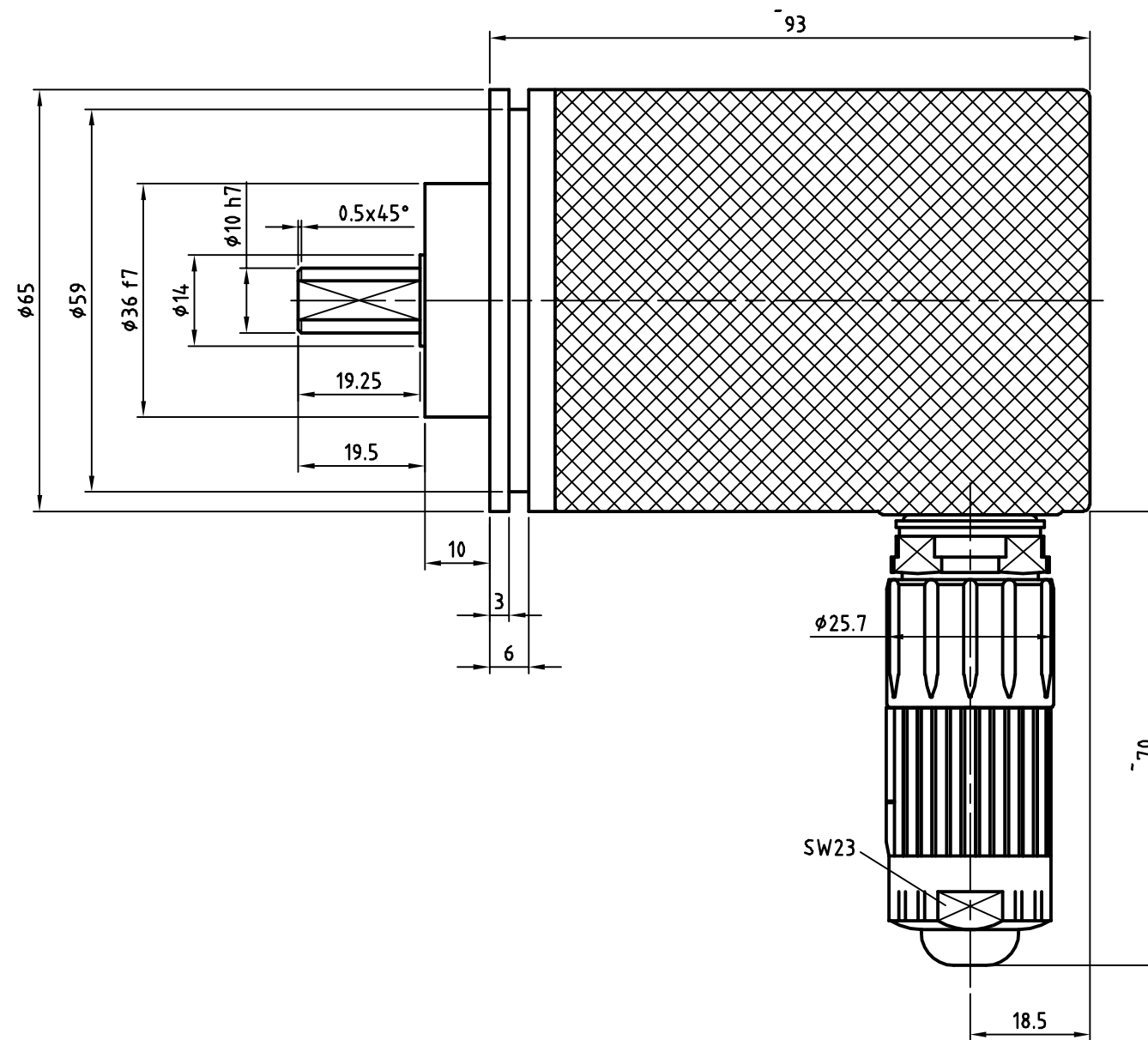
Order-#: CEV65M-00444

7.10.2021 / 010102006502010201

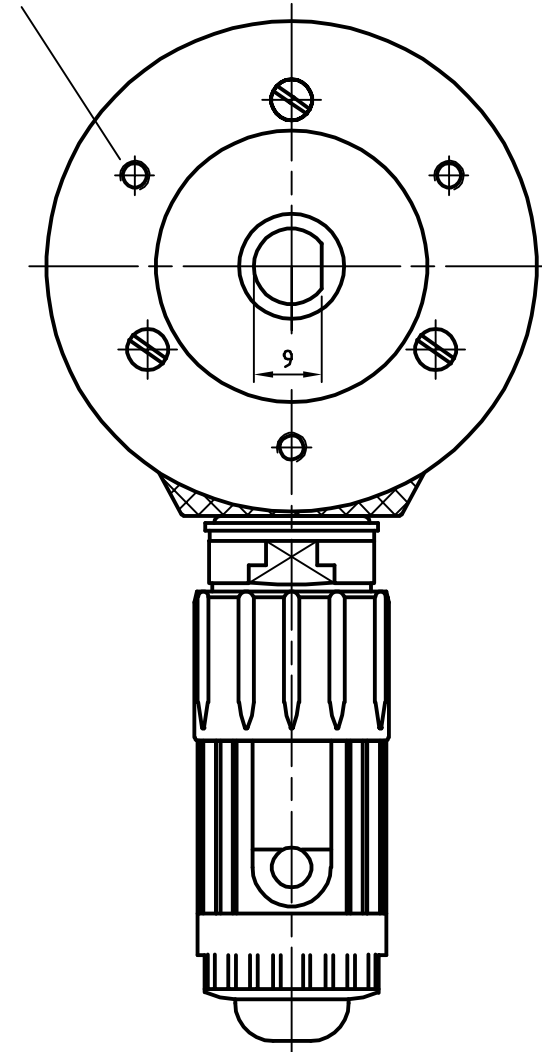
### Environmental data

Vibration	
- Specific value	$\leq 100 \text{ m/s}^2$
- Sine	50...2000 Hz
Shock	
- Specific value	$\leq 1000 \text{ m/s}^2$
- Half sine	11 ms
Immunity to disturbance	DIN EN 61000-6-2
Transient emissions	DIN EN 61000-6-3
Working temperature	
- Standard	0...+60 °C
- Optional	-20...+70 °C;
Storage temperature, dry	-30...+80 °C
Relative humidity	98 %, non condensing
Protection class	
- Standard	IP65

Subject to change.




3xM4, 6tief/deep  
TK $\phi$ 48 $\pm$ 0.2, (3x120°)



12pol./pin Contact

Artikel-Nr. und Steckerbelegung: siehe Datenblatt  
Article-No. and pin connections: see data sheet

 TR Electronic GmbH Eglisshalde 6 78647 Trossingen Telefon 07425/228-0	Maßstab 1:1 DIN A3		Projekt-Nr.:
	Zeichnungs-Nr. nur für diese Ausführung gültig Drawing-No. only for this type valid		
	Datum	Name	
Erstellt	01.06.2005	Habetler	
Bearb.	01.06.2005	HABETLER	
Gepr.			
Norm			
www.tr-electronic.de DXF+Info: info@tr-electronic.de		Zeichnungs-NR./Drawing-No.: <b>04-CEV65M-M0021</b>	
Zust.	Änderung	Datum	Name

$\phi$ 36	f7	-0.025	35.975
		-0.05	35.95
$\phi$ 10	h7	0	10
		-0.015	9.985
Dimensions	Tolerances		

Blatt  
1  
B1

## Pin assignment

Pin assignment number: 185

Index: E

20.01.2021

Connector name: M23 12-pol

Pin-count: 12

Page: 1/1

Pin	Designation	Description	Colour
1	SSI_Clock-_IN	Clock input -	-
2	SSI_Clock+_IN	Clock input +	-
3	SSI_DATA+_OUT	Data output +	-
4	SSI_DATA-_OUT	Data output -	-
5	Ser.Program+_IN/OUT	Ser. programming interface RS485	-
6	Ser.Program-_IN/OUT	Ser. programming interface RS485	-
7	not connected		-
8	Direction IN	Change of counting direction	-
9	Preset1_IN	Preset value 1	-
10	Preset2_IN	Preset value 2	-
11	Supply Voltage IN	Supply voltage	-
12	Ground IN	Ground	-

### WARNING

'De-energize the system before carrying out wiring work or opening and closing electrical connections !

Short-circuits, voltage peaks, etc. can cause operating failures and uncontrolled operating states, as well as serious personal injuries and damage to property.

Verdrahtungsarbeiten, Öffnen und Schließen von elektrischen Verbindungen nur im spannungslosen Zustand durchführen ! Kurzschlüsse, Spannungsspitzen etc. können zur Fehlfunktion und unkontrollierten Zuständen der Anlage bzw. zu erheblichen Personen- und Sachschäden führen.